



PowerBridge *M10*

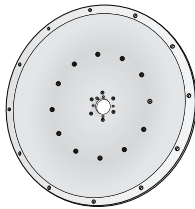
10 GHz Carrier Class
airMAX BaseStation with
Dish Antenna

QUICK START GUIDE

Package Contents



Rocket



Dish



Feed



Main Mounting Bracket



Mast Brackets
(Qty. 2)



Stabilizer Brackets
(Qty. 2)



Tilt Screw



M10x150 Bolts
(Qty. 4)



M10x100 Bolts
(Qty. 2)



M10x25 Bolts
(Qty. 3)



M4x12 Screw and
Washer Assembly
(Qty. 4)



M4x18 Screw and
Washer Assembly
(Qty. 4)



M10 Hex Nuts
(Qty. 9)



M16 Hex Nuts
(Qty. 2)



M10 Spring Lock
Washers (Qty. 9)



M16 Spring Lock
Washer (Qty. 1)



M10 Washers
(Qty. 9)



M16 Washers
(Qty. 2)



24V PoE Adapter



Power Cord



O-Ring (Qty. 1)



Quick Start Guide

Installation Requirements

- Adjustable wrench or one 16 mm and one 24 mm wrench
- Phillips screwdriver

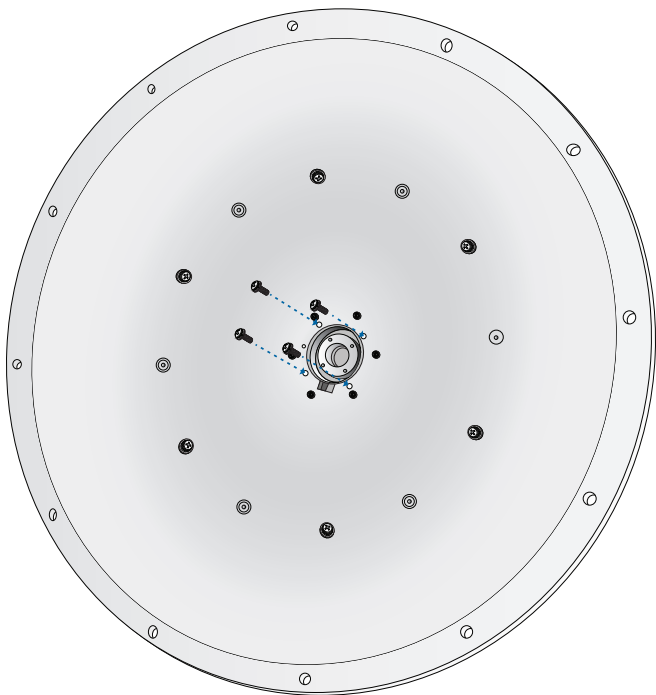
Hardware Installation

To install the PowerBridge M10, perform the following steps:

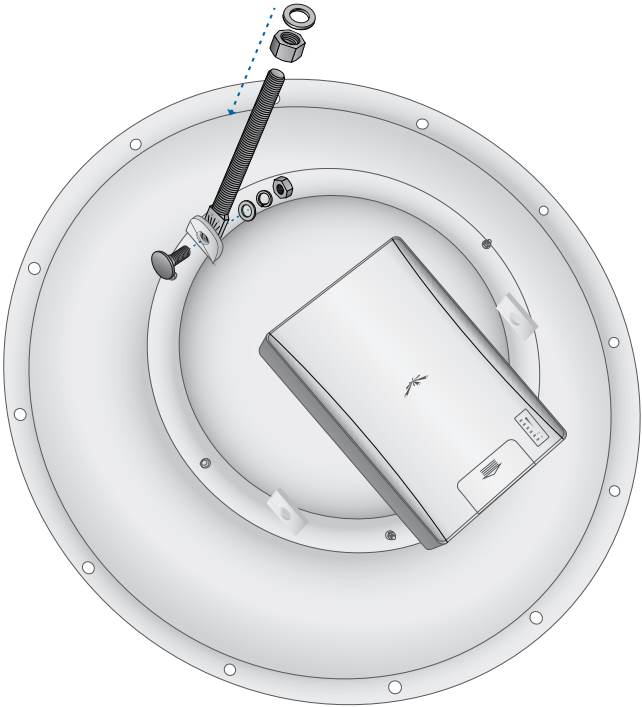
1. Align the *Rocket* to the back of the *Dish*.



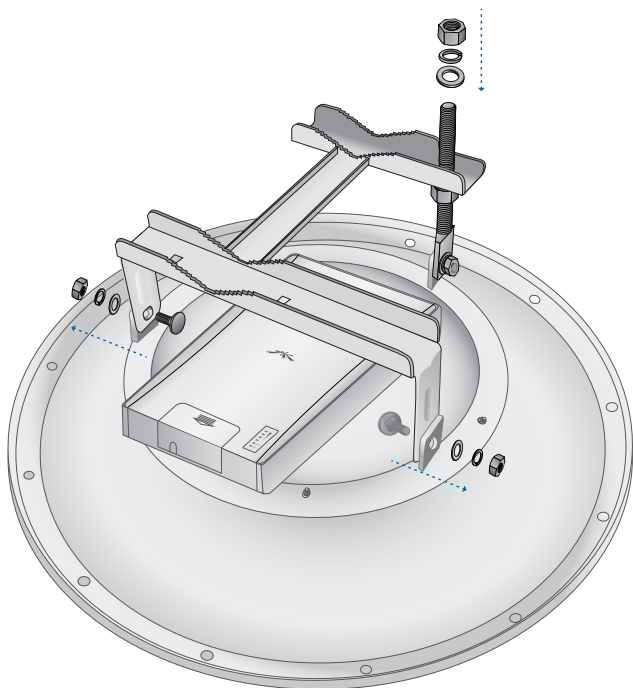
2. On the front of the *Dish*, use the four *M4x18 Screw and Washer Assemblies* to secure the *Rocket* to the *Dish*.



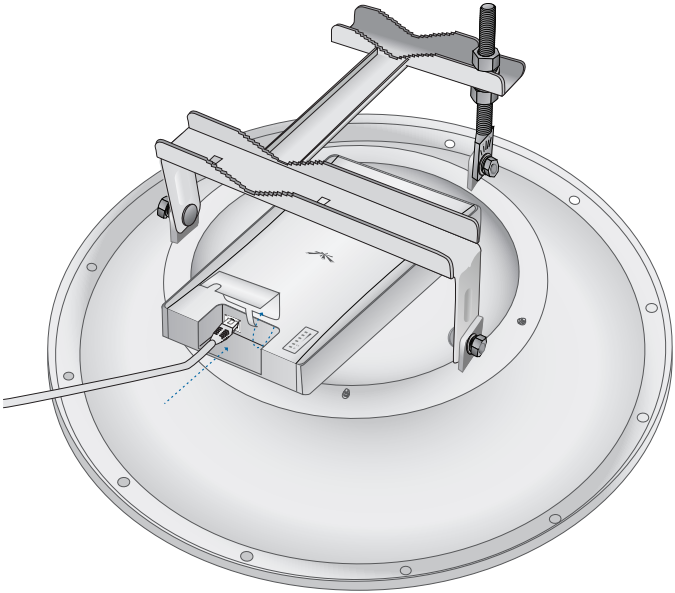
3. Connect the *Tilt Screw* to the back of the *Dish* using a *M10x25 Bolt*, a *M10 Washer*, a *M10 Spring Lock Washer*, and a *M10 Hex Nut*. Install a *M16 Hex Nut* about halfway down on the *Tilt Screw* and then install a *M16 Washer* on the *Tilt Screw*.



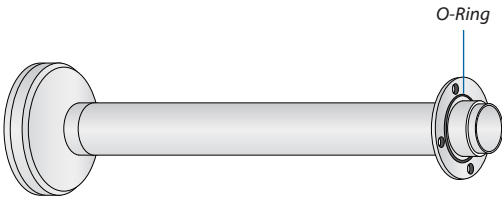
4. Connect the *Main Mounting Bracket* to the *Dish*:
- Insert two *M10x25 Bolts* through the bottom of the *Main Mounting Bracket* and through the *Dish*. The bolts should be on the inside facing outward.
 - Secure each bolt using a *M10 Washer*, a *M10 Spring Lock Washer*, and a *M10 Hex Nut*.
 - Slide the *Main Mounting Bracket* onto the *Tilt Screw*.
 - Secure the *Main Mounting Bracket* to the *Tilt Screw* using a *M16 Washer*, a *M16 Spring Lock Washer*, and a *M16 Hex Nut*.



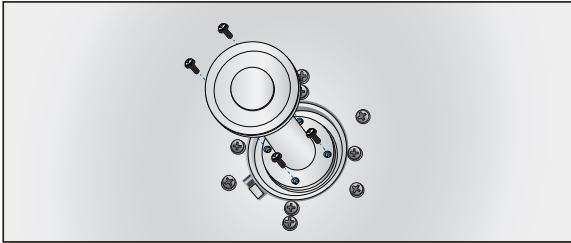
5. Lift the cover on the *Rocket* by pressing down and raising it up. Connect an Ethernet cable to the *Rocket* and place the cover back on the *Rocket*. There is an opening for the Ethernet cable. Slide the cover over the cable.



6. Make sure the *O-Ring* is secure on the Feed.

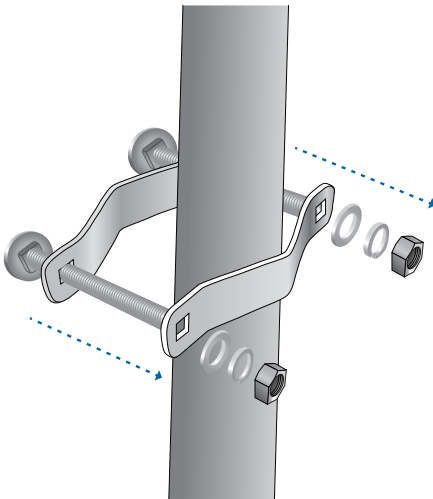


7. On the front of the *Dish*, connect the *Feed* to the *Rocket* and *Dish* using the four *M4x12 Screw and Washer Assemblies*.

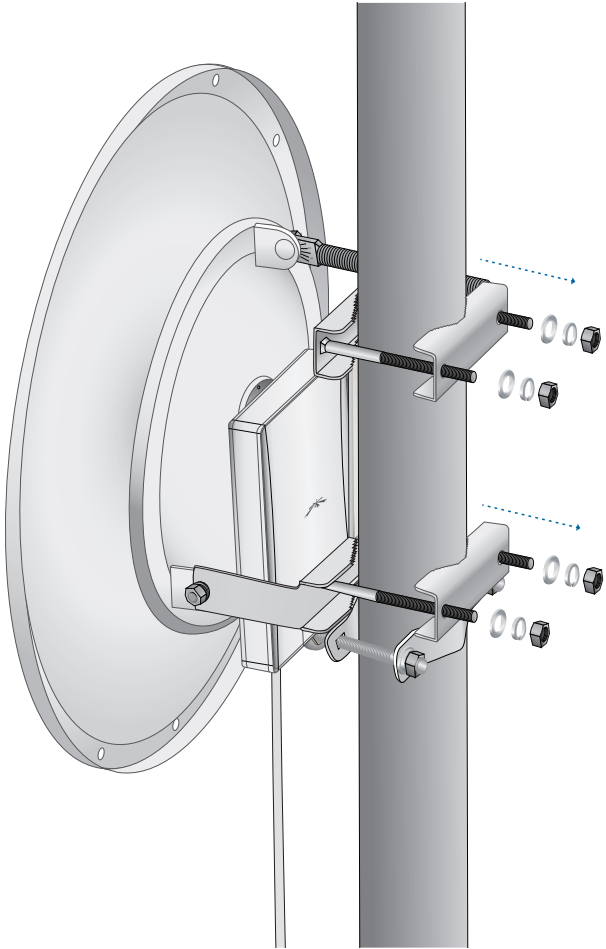


Note: DO NOT handle the assembled unit by the feed at any time, especially during installation of the dish to the pole. Always hold the dish or the brackets while installing the product.

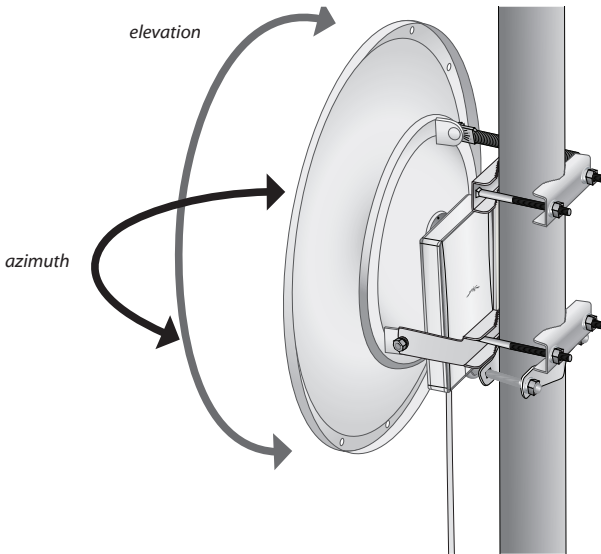
8. Select a mounting location for the *Dish* antenna and connect the *Stabilizer Brackets* to the pole just below where the *Dish* will be installed. Use two *M10x100 Bolts*, two *M10 Washers*, two *M10 Spring Lock Washers*, and two *M10 Hex Nuts*.



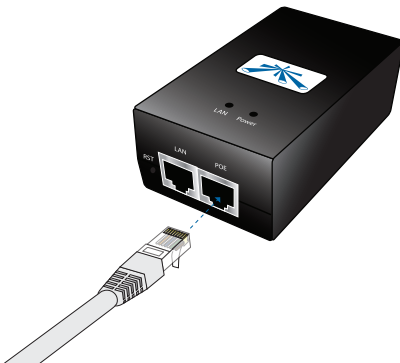
9. Place the *Mast Brackets* on the other side of the pole that the *Dish* will be mounted on and connect them to the *Main Mounting Bracket* using *M10 Washers*, *M10 Spring Lock Washers*, and *M10 Hex Nuts*.



10. Adjust the Azimuth and Elevation. Azimuth can be adjusted by rotating the antenna while supported by the stabilizer bracket. Elevation is adjusted by loosening the *Tilt Screw*.



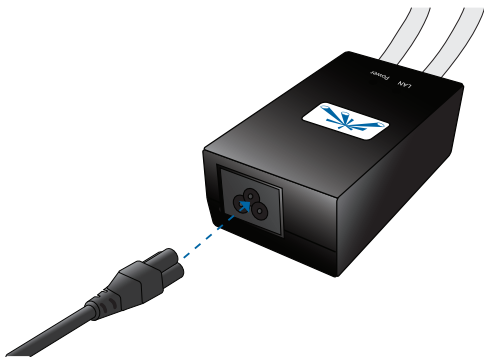
11. Connect the other end of the Ethernet cable from the *Rocket* to the Ethernet port labeled **POE** on the *PoE Adapter*.



12. Connect an Ethernet cable from your LAN to the Ethernet port labeled **LAN** on the *PoE Adapter*.



13. Connect the power cord to the power port on the *PoE Adapter*. Connect the other end of the power cord to a power outlet.



Accessing airOS™

1. Make sure that your host machine is connected to the LAN that is connected to the Rocket.
2. Configure the Ethernet adapter on your host system with a static IP address on the 192.168.1.x subnet.
3. Launch your Web browser. Type **http://192.168.1.20** in the address field and press **enter** (PC) or **return** (Mac).



4. The login screen will appear. Enter **ubnt** in the *Username* and *Password* fields and click **Login**.

A screenshot of the airOS login interface. The background is dark grey. In the top left is the "airOS™" logo. On the right side, there are four input fields: "Username" with "ubnt" entered, "Password" with four asterisks, "Country" with a dropdown menu showing "United States", and "Language" with a dropdown menu showing "English". Below these fields is a "Login" button. On the left side, under the heading "TERMS OF USE", there is a paragraph of small text and a checkbox labeled "I agree to these terms of use" which is checked.

The airOS Configuration Interface will appear, allowing you to customize your settings as needed.

Congratulations! Installation is complete.

General Warranty

UBIQUITI NETWORKS, Inc (“UBIQUITI NETWORKS”) represents and warrants that the Products furnished hereunder shall be free from defects in material and workmanship for a period of one (1) year from the date of shipment by UBIQUITI NETWORKS under normal use and operation. UBIQUITI NETWORKS sole and exclusive obligation under the foregoing warranty shall be to repair or replace, at its option, any defective Product that fails during the warranty period. The expense of removal and reinstallation of any item is not included in this warranty.

The foregoing warranty is exclusive and in lieu of all other warranties, express or implied, including the implied warranties of merchantability and fitness for a particular purpose and any warranties arising from a course of dealing, usage or trade practice with respect to the products. Repair or replacement in the manner provided herein shall be the sole and exclusive remedy of Buyer for breach of warranty and shall constitute fulfillment of all liabilities of UBIQUITI NETWORKS with respect to the quality and performance of the Products. UBIQUITI NETWORKS reserves the right to inspect all defective Products (which must be returned by Buyer to UBIQUITI NETWORKS factory freight prepaid).

No Products will be accepted for replacement or repair without obtaining a Return Materials Authorization (RMA) number from UBIQUITI NETWORKS. Products returned without an RMA number will not be processed and will be returned to Buyer freight collect. UBIQUITI NETWORKS shall have no obligation to make repairs or replacement necessitated by catastrophe, fault, negligence, misuse, abuse, or accident by Buyer, Buyer’s customers or any other parties. The warranty period of any repaired or replaced. Product shall not extend beyond its original term.

Warranty Conditions

The foregoing warranty shall apply only if:

- (I) The Product has not been subjected to misuse, neglect or unusual physical, electrical or electromagnetic stress, or some other type of accident.
- (II) No modification, alteration or addition has been made to the Product by persons other than UBIQUITI NETWORKS or UBIQUITI NETWORK’S authorized representatives or otherwise approved by UBIQUITI NETWORKS.
- (III) The Product has been properly installed and used at all times in accordance, and in all material respects, with the applicable Product documentation.
- (IV) All Ethernet cabling runs use CAT5 (or above) shielded cabling.

Disclaimer: UBIQUITI NETWORKS does not warrant that the operation of the products is error-free or that operation will be uninterrupted. In no event shall UBIQUITI NETWORKS be responsible for damages or claims of any nature or description relating to system performance, including coverage, buyer's selection of products for buyer's application and/or failure of products to meet government or regulatory requirements.

Returns

In the unlikely event a defect occurs, please work through the dealer or distributor from which this product was purchased.

Compliance

CE Marking

CE marking on this product represents the product is in compliance with all directives that are applicable to it.

Alert Sign (!) Follows CE Marking

Alert sign must be indicated if a restriction on use applied to the product and it must follow the CE marking.



NB-Identification Number (if there is any)

Notified body number is indicated if it is involved in the conformity assessment procedure.



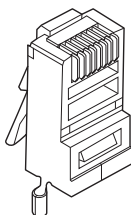
Please check the CE mark on the product label to find out which notified body was involved during assessment.

Declaration of Conformity

Česky [Czech]	UBIQUITI NETWORKS tímto prohlašuje, e tento UBIQUITI NETWORKS device, je ve shodě se základními požadavky a dále s ostatními ustanoveními směrnice 1999/5/ES.
Dansk [Danish]	Undertegnede UBIQUITI NETWORKS erklærer herved, at følgende udstyr UBIQUITI NETWORKS device, overholder de væsentlige krav og øvrige relevante krav i direktiv 1999/5/EF.
Nederlands [Dutch]	Hierbij verklaart UBIQUITI NETWORKS dat het toestel UBIQUITI NETWORKS device, in overeenstemming is met de essentiële eisen en de andere relevante bepalingen van richtlijn 1999/5/EG. Bij deze verklaart UBIQUITI NETWORKS dat deze UBIQUITI NETWORKS device, voldoet aan de essentiële eisen en aan de overige relevante bepalingen van Richtlijn 1999/5/EC.
English	Hereby, UBIQUITI NETWORKS, declares that this UBIQUITI NETWORKS device, is in compliance with the essential requirements and other relevant provisions of Directive 1999/5/EC.
Eesti [Estonian]	Käesolevaga kinnitab UBIQUITI NETWORKS seadme UBIQUITI NETWORKS device, vastavust direktiivi 1999/5/EÜ põhinõuetele ja nimetatud direktiivist tulenevatele teistele asjakohastele sätetele.
Suomi [Finnish]	UBIQUITI NETWORKS vakuuttaa täten että UBIQUITI NETWORKS device, tyypinen laite on direktiivin 1999/5/EY oleellisten vaatimusten ja sitä koskevien direktiivin muiden ehtojen mukainen.
Français [French]	Par la présente UBIQUITI NETWORKS déclare que l'appareil UBIQUITI NETWORKS, device est conforme aux exigences essentielles et aux autres dispositions pertinentes de la directive 1999/5/CE.
Deutsch [German]	Hiermit erklärt UBIQUITI NETWORKS, dass sich diese UBIQUITI NETWORKS device, in Übereinstimmung mit den grundlegenden Anforderungen und den anderen relevanten Vorschriften der Richtlinie 1999/5/EG befindet". (BMW)
Ελληνική [Greek]	ΜΕ ΤΗΝ ΠΑΡΟΥΣΑ UBIQUITI NETWORKS ΔΗΛΩΝΕΙ ΟΤΙ UBIQUITI NETWORKS device, ΣΥΜΜΟΡΦΩΝΕΤΑΙ ΠΡΟΣ ΤΙΣ ΟΥΣΙΩΔΕΙΣ ΑΠΑΙΤΗΣΕΙΣ ΚΑΙ ΤΙΣ ΛΟΙΠΕΣ ΣΧΕΤΙΚΕΣ ΔΙΑΤΑΞΕΙΣ ΤΗΣ ΟΔΗΓΙΑΣ 1995/5/ΕΚ.
Magyar [Hungarian]	Alulírott, UBIQUITI NETWORKS nyilatkozom, hogy a UBIQUITI NETWORKS device, megfelel a vonatkozó alapvető követelményeknek és az 1999/5/EC irányelv egyéb előírásainak.
Íslenska [Icelandic]	Hér með lýsir UBIQUITI NETWORKS yfir við á UBIQUITI NETWORKS device, er í samræmi við grunnkröfur og aðrar kröfur, sem gerar eru í tilskipun 1999/5/EC.
Italiano [Italian]	Con la presente UBIQUITI NETWORKS dichiara che questo UBIQUITI NETWORKS device, è conforme ai requisiti essenziali ed alle altre disposizioni pertinenti stabilite dalla direttiva 1999/5/CE.

Latviski [Latvian]	Ar o UBIQUITI NETWORKS deklar , ka UBIQUITI NETWORKS device, atbilst Direkt vas 1999/5/EK b tiskaj m pras b m un citiem ar to saist tajiem noteikumiem.
Lietuviškai [Lithuanian]	UBIQUITI NETWORKS deklaruoja, kad šis UBIQUITI NETWORKS įrenginys atitinka esminius reikalavimus ir kitas 1999/5/EB Direktyvos nuostatas.
Malti [Maltese]	Hawnhekk, UBIQUITI NETWORKS, jiddikjara li dan UBIQUITI NETWORKS device, jikkonforma mal- ti ijiet essenzjali u ma provvedimenti o rajn rilevanti li hemm fid-Dirrettiva 1999/5/EC.
Norsk [Norwegian]	UBIQUITI NETWORKS erklærer herved at utstyret UBIQUITI NETWORKS device, er i samsvar med de grunnleggende krav og øvrige relevante krav i direktiv 1999/5/EF.
Slovensky [Slovak]	UBIQUITI NETWORKS t mto vyhlasuje, e UBIQUITI NETWORKS device, sp a základné po iadavky a v etky príslu né ustanovenia Smernice 1999/5/ES.
Svenska [Swedish]	Härmed intygar UBIQUITI NETWORKS att denna UBIQUITI NETWORKS device, står i överensstämmelse med de väsentliga egenskapskrav och övriga relevanta bestämmelser som framgår av direktiv 1999/5/EG.
Español [Spanish]	Por medio de la presente UBIQUITI NETWORKS declara que el UBIQUITI NETWORKS device, cumple con los requisitos esenciales y cualesquiera otras disposiciones aplicables o exigibles de la Directiva 1999/5/CE.
Polski [Polish]	Niniejszym, firma UBIQUITI NETWORKS o wiadcza, e produkt serii UBIQUITI NETWORKS device, spełnia zasadnicze wymagania i inne istotne postanowienia Dyrektywy 1999/5/EC.
Português [Portuguese]	UBIQUITI NETWORKS declara que este UBIQUITI NETWORKS device, está conforme com os requisitos essenciais e outras disposições da Directiva 1999/5/CE.
Română [Romanian]	Prin prezenta, UBIQUITI NETWORKS declară că acest dispozitiv UBIQUITI NETWORKS este în conformitate cu cerințele esențiale și alte prevederi relevante ale Directivei 1999/5/CE.

TOUGH Cable™



English

We recommend that you protect your networks from the most brutal environments and devastating ESD attacks with industrial-grade shielded Ethernet cable from Ubiquiti Networks. For more details, visit www.ubnt.com/toughcable

Deutsch

Schützen Sie Ihre Netzwerke vor extremen Umwelteinflüssen und verheerender elektrostatischer Entladung (ESD), indem Sie abgeschirmte Ethernetkabel in Unternehmensqualität von Ubiquiti Networks verwenden. Weitere Informationen erhalten Sie unter www.ubnt.com/toughcable

Español

Le recomendamos que proteja sus redes de los entornos más hostiles y los devastadores efectos de las descargas electrostáticas utilizando cable Ethernet blindado con calidad-industrial de Ubiquiti Networks. Para obtener más información, visite www.ubnt.com/toughcable

Français

Nous vous recommandons de protéger vos réseaux contre les environnements les plus brutaux et les décharges électrostatiques les plus dévastatrices avec un câble Ethernet Ubiquiti Networks avec blindage renforcé. Pour en savoir plus, rendez-vous sur www.ubnt.com/toughcable

Italiano

Si consiglia di proteggere le reti dagli ambienti e dagli attacchi ESD più invasivi con il cavo Ethernet schermato-di tipo industriale di Ubiquiti Networks. Per ulteriori informazioni, visitare il sito Web www.ubnt.com/toughcable

Ubiquiti Networks Support

Email: **support@ubnt.com**

Phone (9 a.m. - 5 p.m. PST): **408-942-1153**

Online Resources

Wiki Page: **wiki.ubnt.com**

Support Forum: **forum.ubnt.com**

Downloads: **downloads.ubnt.com**

