

Parabolic antenna JRMD - 900 -10/11

Antenna JRMD – 900 – 10/11 is designed for microwave links at the frequency band 10 and 11 GHz. The new generation is coming in a deep reflector dish design with a massive holder.

Electrical parameters:

Frequency range	10.0 – 12.0 GHz
Gain – Low frequency	36.5 ± 1 dBi
Gain – High frequency	37.0 ± 1 dBi
Front to back ratio	≥ 57 dB
Beamwidth _{-3 dB}	2.3°
Polarization	Linear, vertical/horizontal
Return loss (VSWR)	≥ 16 dB _{/10.3 – 11.7 GHz}
Electrical Compliance	US FCC Part 101A 10.550 – 10.680 GHz US FCC Part 101B 10.7 – 11.7 GHz Class 2 ETSI EN 302-217-4-2

Mechanical parameters:

Parabola	Ø 900 mm , aluminium alloy
Radome	UV steady plastic ABS
Input / output	Circle waveguide Ø 19 mm
Installation for mast	Ø 40 – 120 mm
Operating wind load	140 km/h (87 mph)
Survival wind load	210 km/h (130 mph)
Weight of antenna	9.4 kg (20.7 lbs.)
of holder	3.2 kg (7.1 lbs.)
Shipping dimensions	
of antenna	990 x 990 x 430 mm / 12.1 kg (26.7 lbs.)
of holder	180 x 170 x 165 mm / 3.5 kg (7.7 lbs.)

Parabolic antenna JRMD - 900 -10/11

Usage:

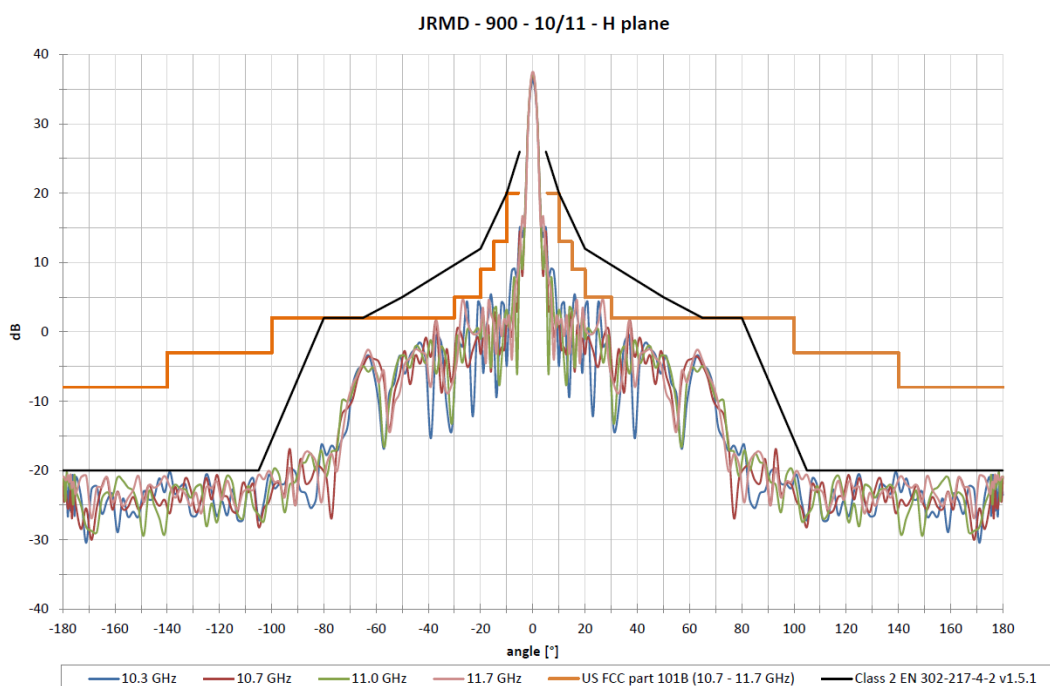
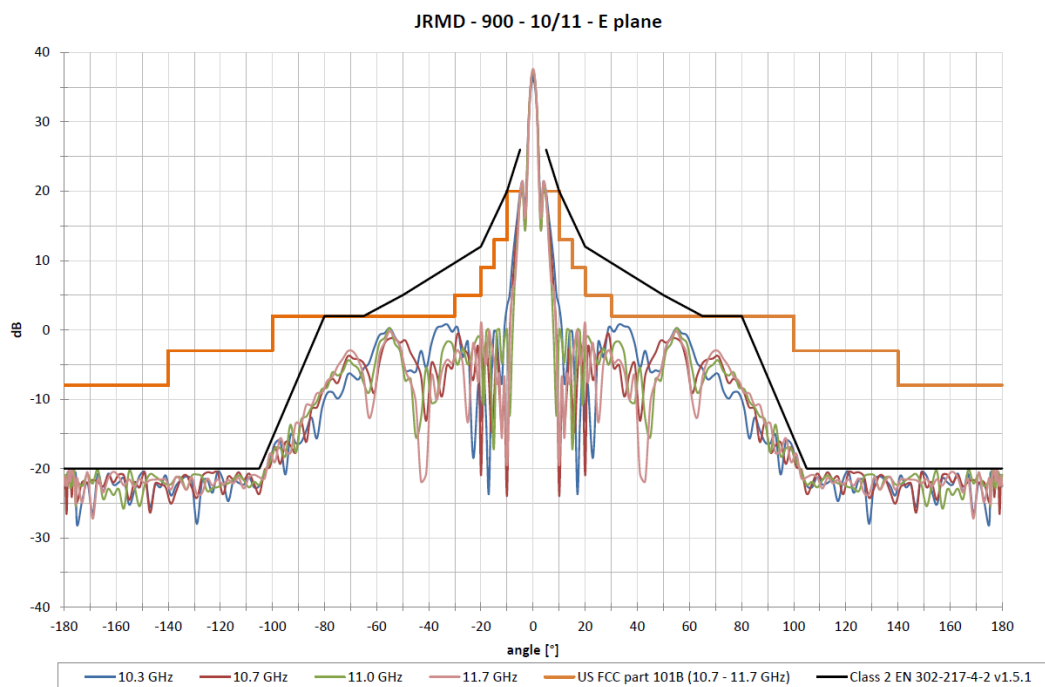
- deep parabola for better parameters
- **easy to assembly:** first the holder and then the antenna only by 2 screws
- **fine setting** elevation (of gradient) and azimuth $\pm 20^\circ$
- extreme wind stability

The antenna is supplied with a holder that allows easy mounting on a mast. The holder can be installed separately on the mast. Subsequently, you can simply hang up the antenna with microwave unit into it. The holder allows precise adjustment in both directions. Ready for right and left side mounting.

In the areas with the expected occurrence of the strong winds mounting on the mast with minimal \varnothing 70 mm is recommended.

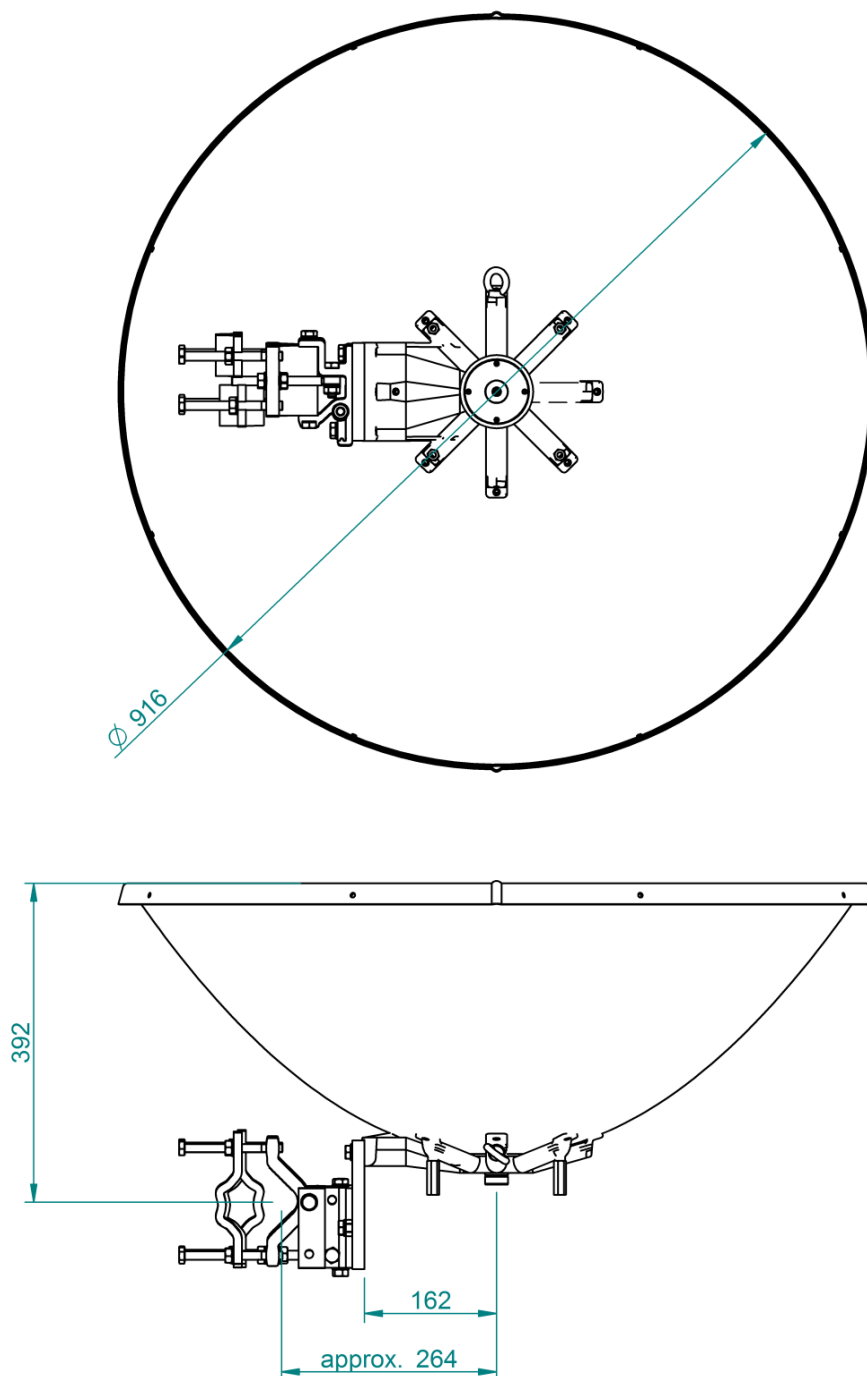
Parabolic antenna JRMD - 900 - 10/11

Measurement of radiation pattern:



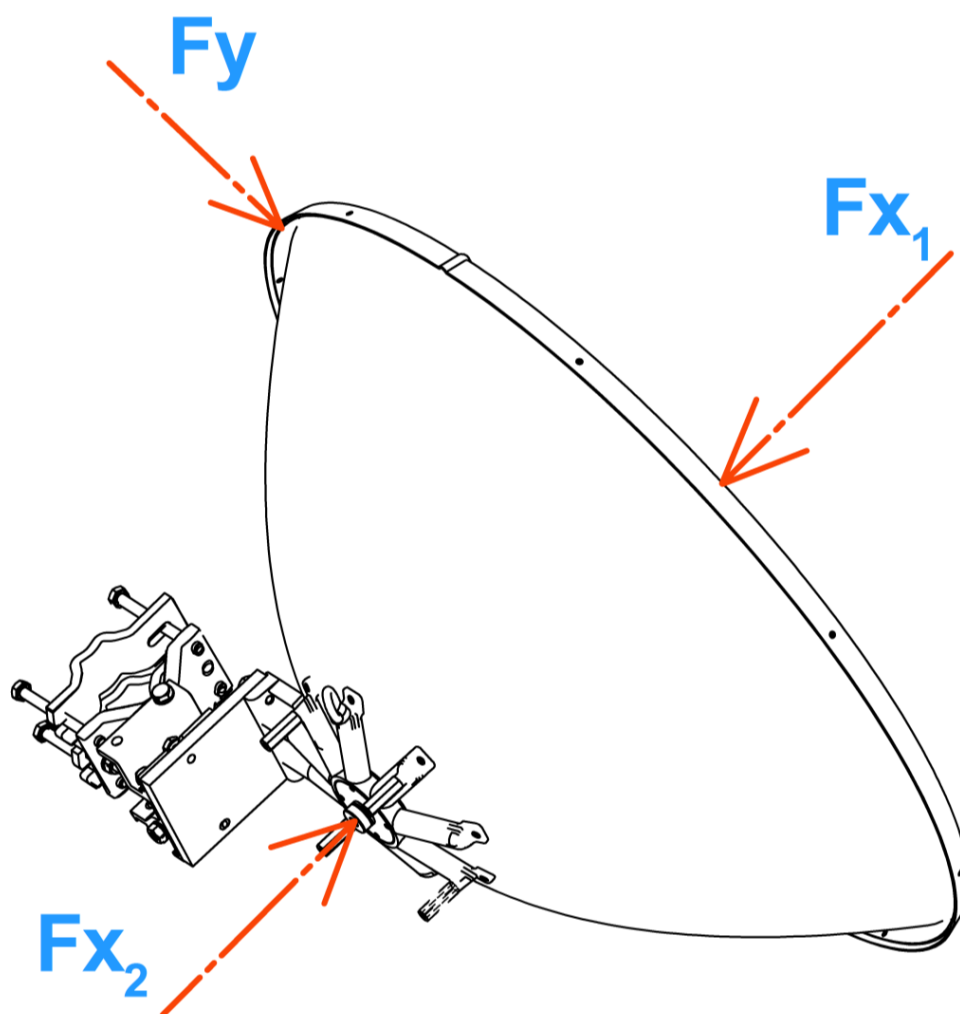
Parabolic antenna JRMD - 900 -10/11

Outline:



Parabolic antenna JRMD - 900 -10/11

Wind loading:



Wind Loading at 200 km/h (125 mph)		
Direction	Force [N]	Force [lbf]
Fx1	1443	325
Fx2	1324	298
Fy	91	20,5