

Parabolic antenna JRC-24DD MIMO

Dual-polarized parabolic antenna **JRC-24 Deep Dish MIMO** is designed for directional links with MIMO mode at the frequency band 5 GHz. The antenna is designed for environments with multiple reflections for medium and short distances in difficult conditions. **Its design with deep dish increases isolation among antennas on a mast and increases front to back ratio. The new concept expands the frequency band.**

Other models: **JRC-24DD MIMO Precision** – antenna with precision holder JDMW-900 AR
JRC-24DD-SX MIMO – antenna with stainless steel holder for adverse corrosive conditions
JRC-24DD MIMO PriS – antenna for dual-polarized radio UBNT PrismStation

Electrical parameters:

| | |
|---|---|
| Frequency range | 4.9 – 6.4 GHz |
| Gain | 24.5 ± 1 dBi |
| VSWR 5.1 – 5.9 GHz | ≤ 1.4 |
| Beamwidth -3 dB | 9.0° |
| Port to port isolation 5.1 – 5.9 GHz | ≥ 27 dB (rest of the freq. range ≥ 22 dB) |
| Front to Back ratio | ≥ 44 dB |
| Polarization | Linear, vertical/horizontal or 45° |

Mechanical parameters:

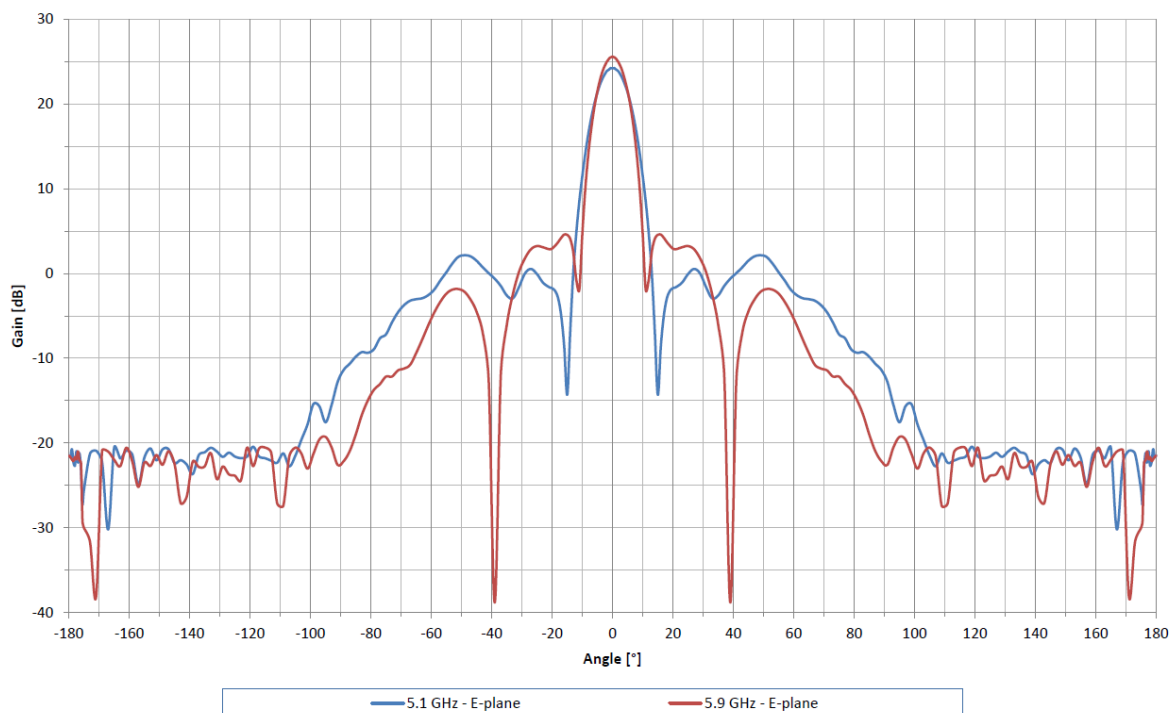
| | |
|------------------------------------|---|
| Parabola | Ø 400 mm, Aluminium alloy |
| Radome | UV steady plastic ABS |
| Type of connector | N-female, R-SMA |
| Installation for mast | Ø 27 - 74 mm |
| Weight of antenna | 2.3 kg (5.1 lbs.) |
| Shipping dimensions - 2 pcs | 460 x 460 x 190 mm / 5.4 kg (11.8 lbs.) |

The antenna can be used in combination with the outdoor metal box JR – 250 Alu for AP, RouterBOARDS and other electronics or with holder GentleCLIP for easy installation devices with the clipped system. The antenna has separate latching nuts for easy mounting and adjustment of the azimuth and elevation. Right and left side mounting possible.

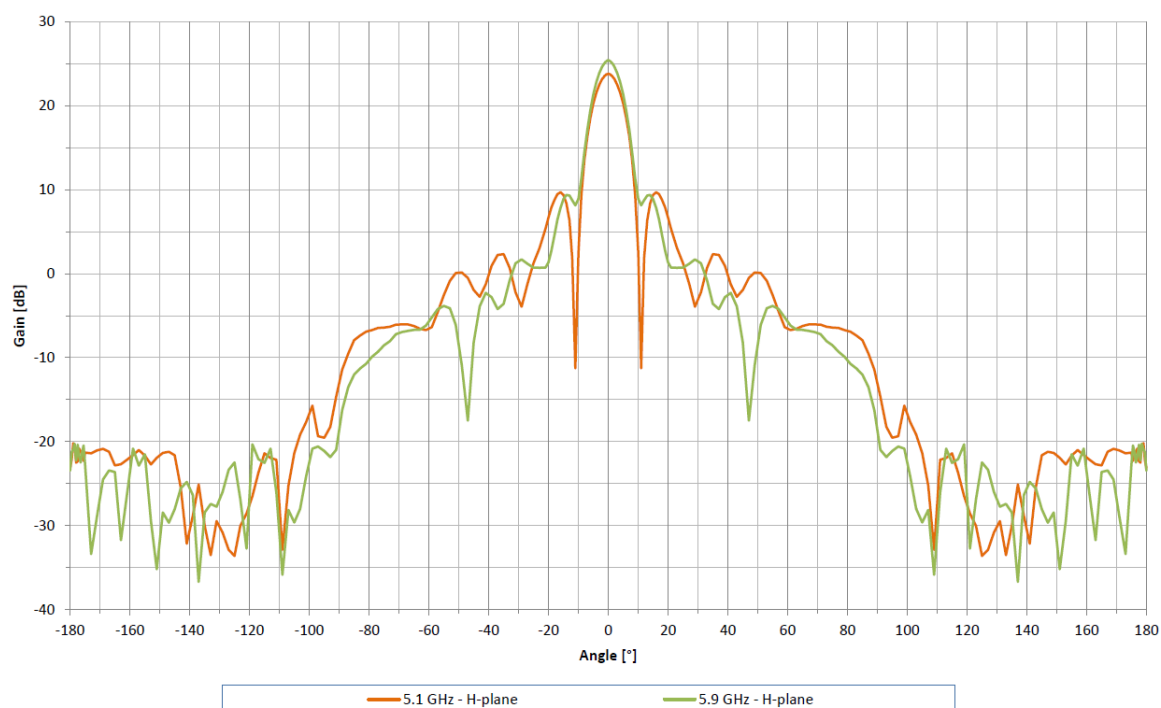
Parabolic antenna JRC-24DD MIMO

Measurement of radiation pattern:

JRC-24DD MIMO - E-plane

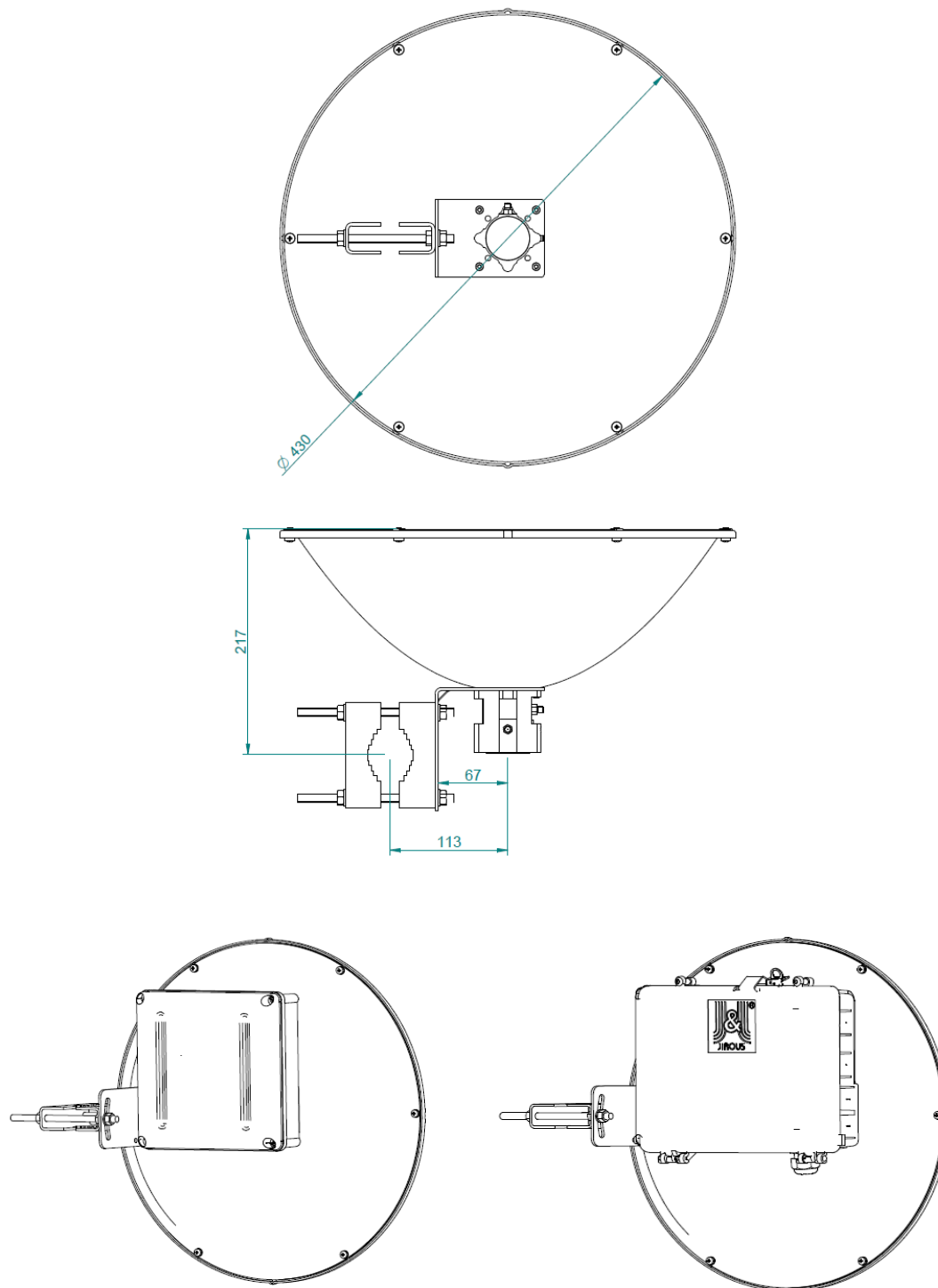


JRC-24DD MIMO - H-plane



Parabolic antenna JRC-24DD MIMO

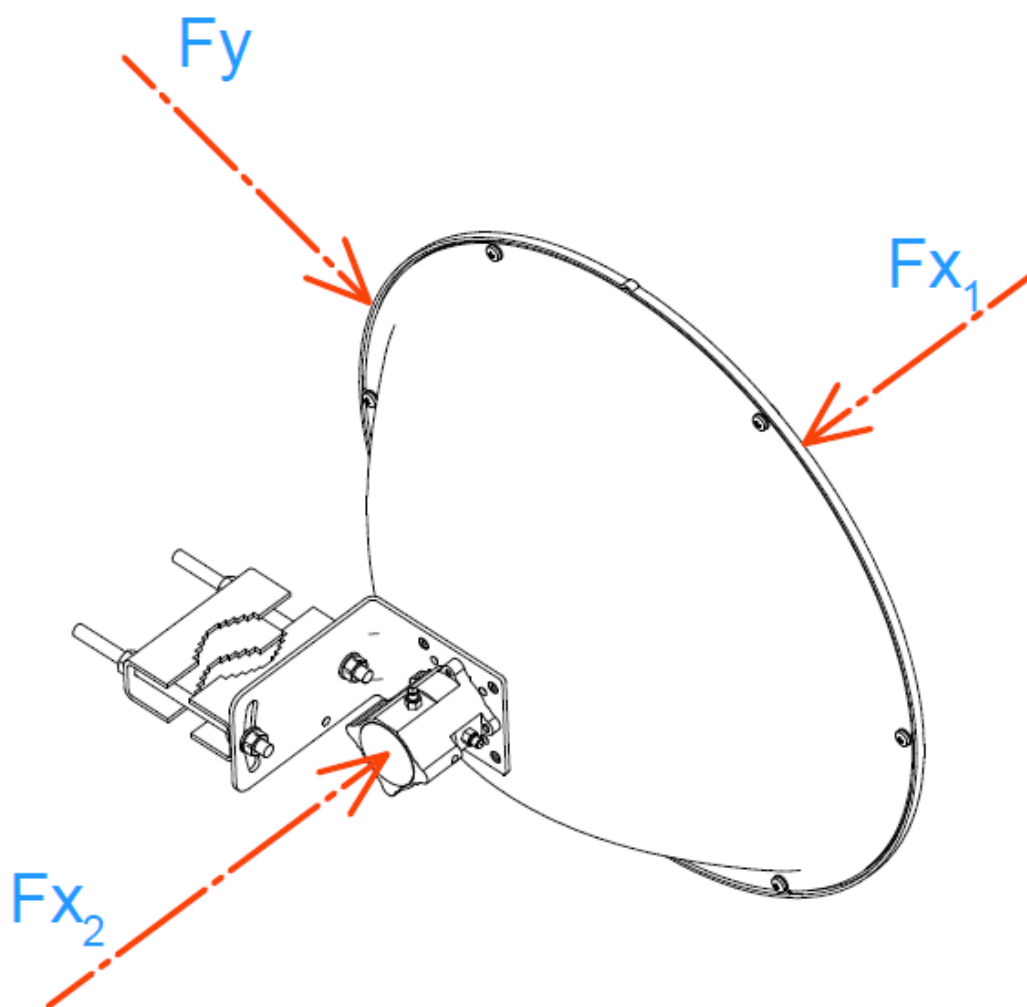
Outline:



Accessories: outdoor plastic box JR – 200 or metal box JR – 250 Alu – right side mounting only, polarization 45° not possible

Parabolic antenna JRC-24DD MIMO

Wind loading:



| Wind Loading 200km/h (125 mph) | | |
|--------------------------------|-----------|-------------|
| Direction | Force [N] | Force [lbf] |
| Fx1 | 344 | 77 |
| Fx2 | 313 | 70 |
| Fy | 17 | 4 |